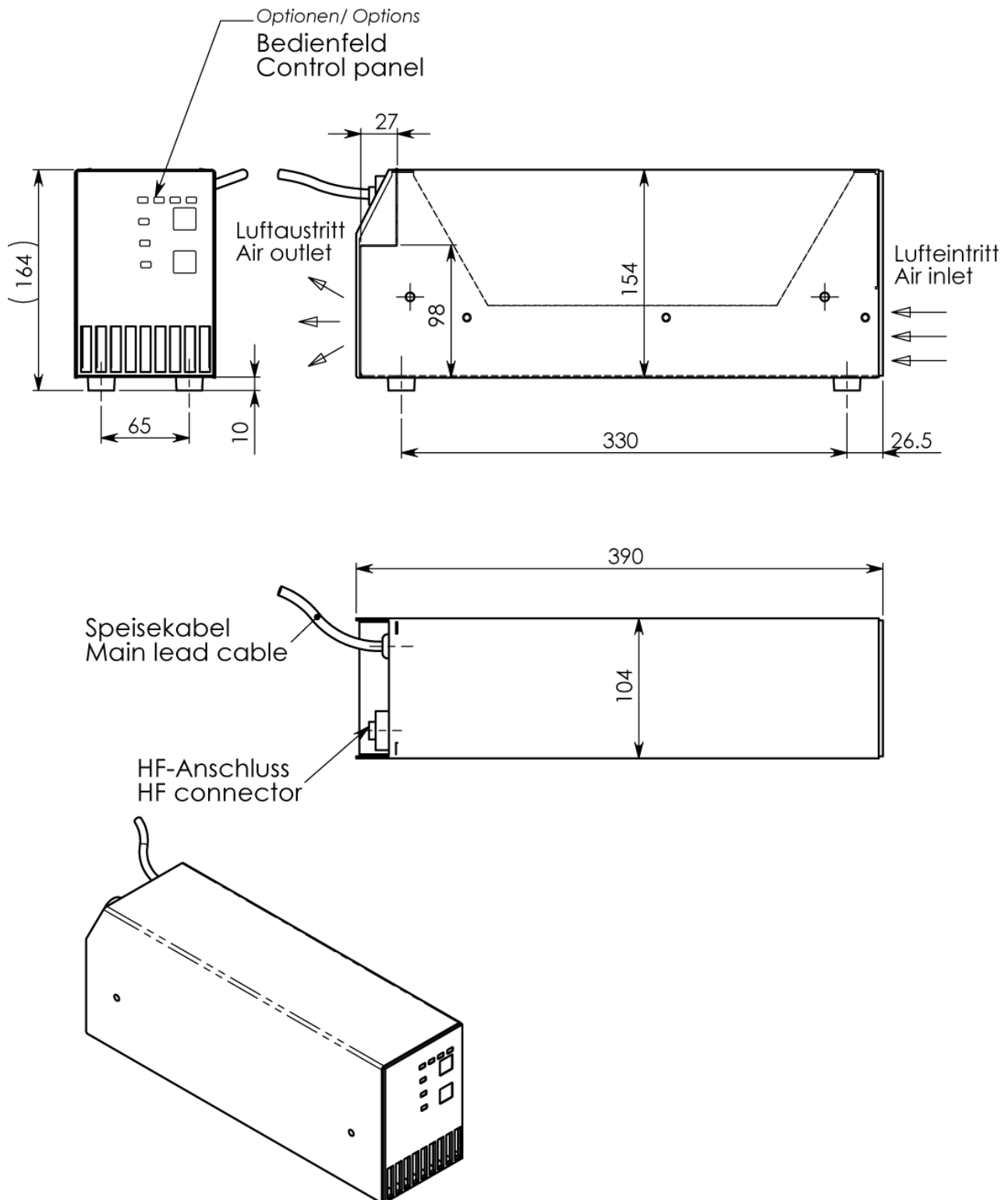


Technical Information Ultrasonic generator ECO
 20, 25, 30, 40 kHz / 750-3000 W

1.1 Dimensions



Technical Information Ultrasonic generator ECO
 20, 25, 30, 40 kHz / 750-3000 W

1.2 Product specification

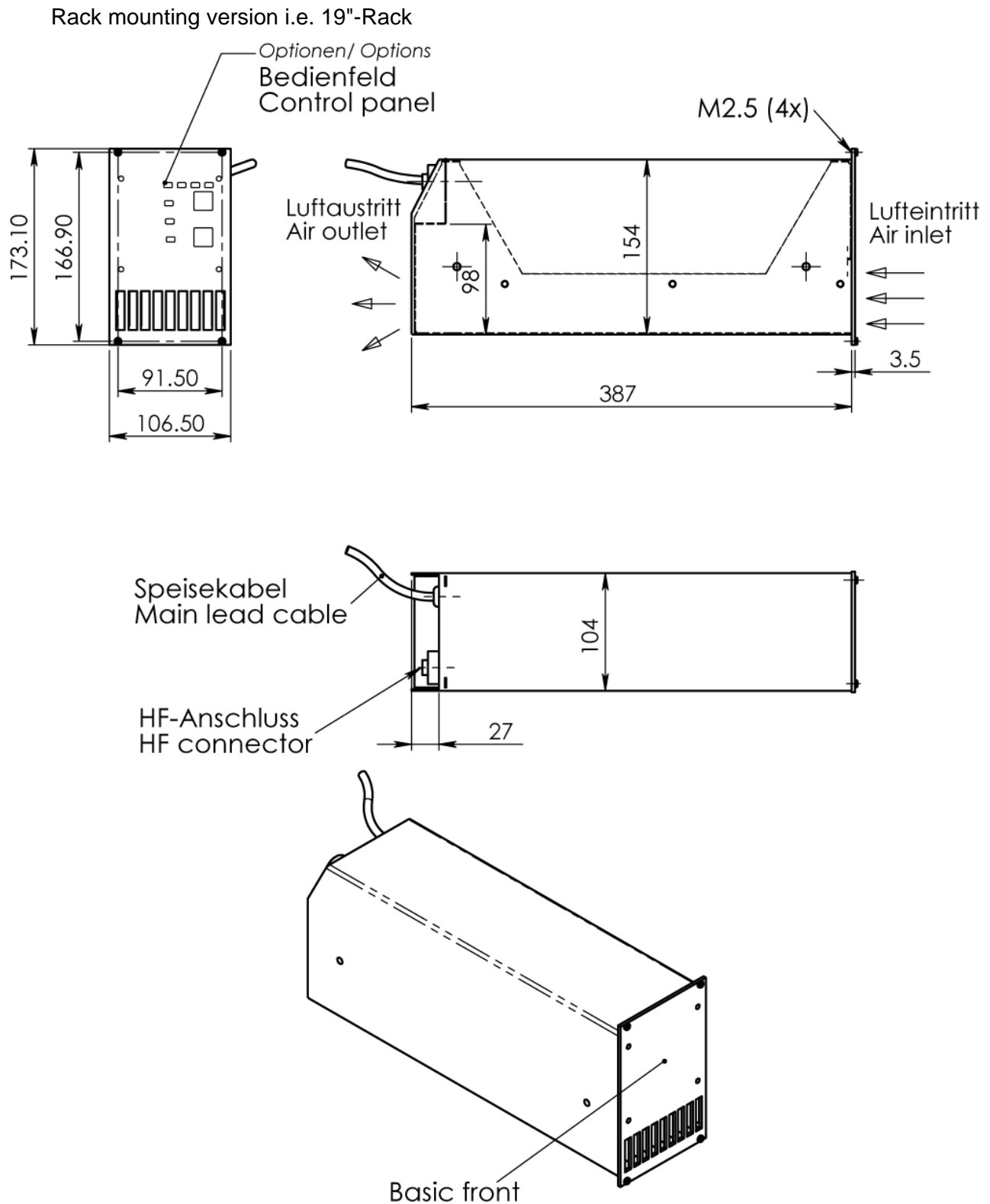
Frequency:	20, 25, 30, 40 kHz \pm 1 kHz (automatic control)
Power:	750-3000 W
Electrical connection:	230 V \pm 10 %, 50-60 Hz
Power consumption:	6 A _{eff} / 8 A _{eff} / 10 A _{eff}
Operating modes:	100 % steady state at full load
Dimensions table top version (B x L x T):	105 x 155 x 390 mm 4.14 x 6.1 x 15.4 in
HF-Cable:	3 m standard, 6 m and 10 m
Weight:	6.2 kg
Protection class:	
19" housing	IP 50
Table top housing/ wall mounting version (powder coated)	IP 51
Options:	
	Mounting brackets (wall and control cabinet mounting kit)
	Service connector RS232 (monitoring control interface)
	Service connector RS232 with diagnostic LED (monitoring control interface)
Immersible transducers / tube resonators	On request (customer specific)

1.3 Order numbers

Article:	Order numbers:
ECO 230 V, Power/Frequency	On request (according to power/frequency)
Accessories:	
Mounting brackets (wall and control cabinet mounting kit)	701 020 200
Service connector RS232 for PC to monitor the control interface	930 100 000
Service connector RS232 with diagnostic LED for PC to monitor the control interface.	930 101 000
Cable:	
HF-Cable 3 m	514 210 031
HF-Cable 6 m	514 210 060
HF-Cable 10 m (generator tuning required)	514 210 101

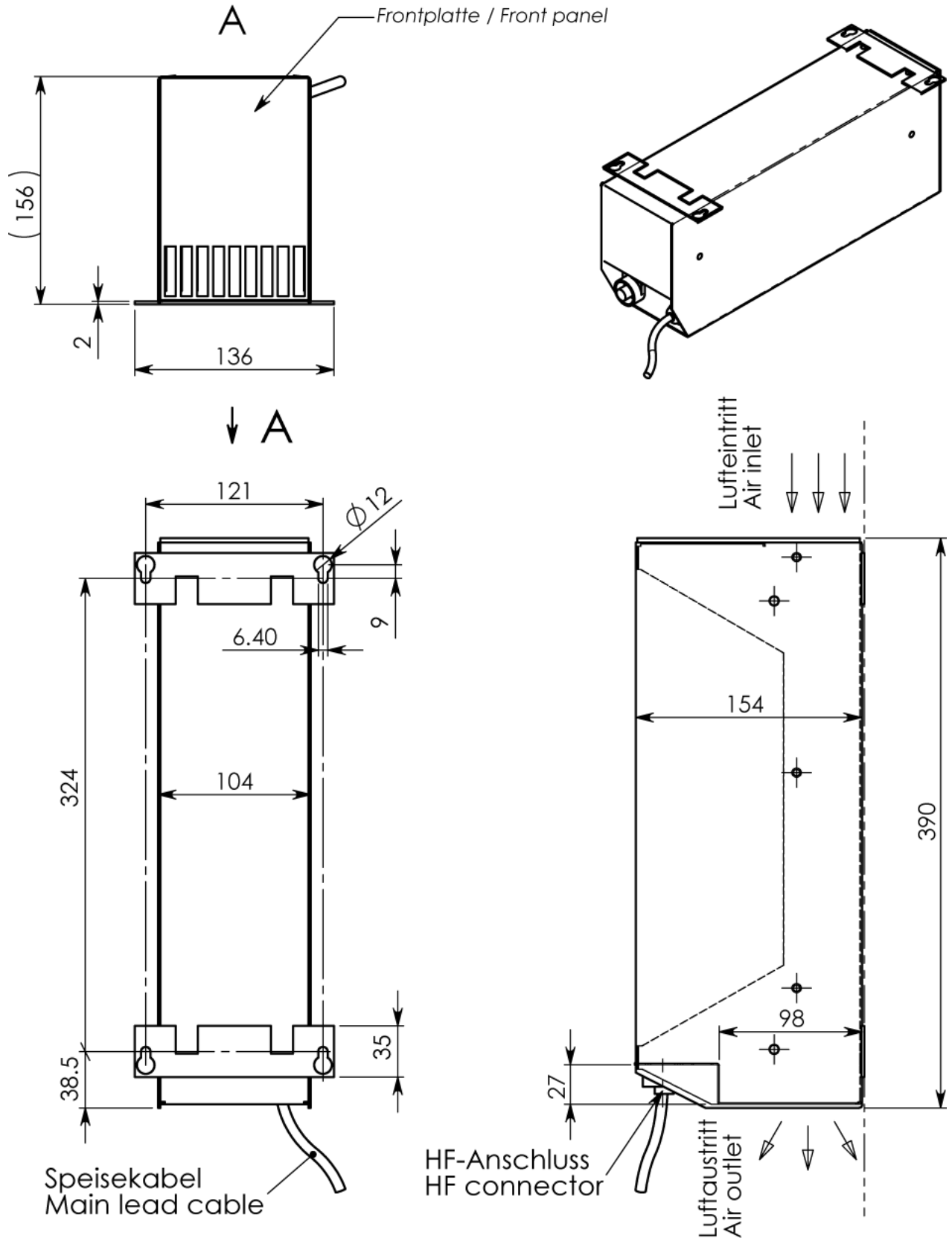
Technical Information Ultrasonic generator ECO
 20, 25, 30, 40 kHz / 750-3000 W

1.4 Versions



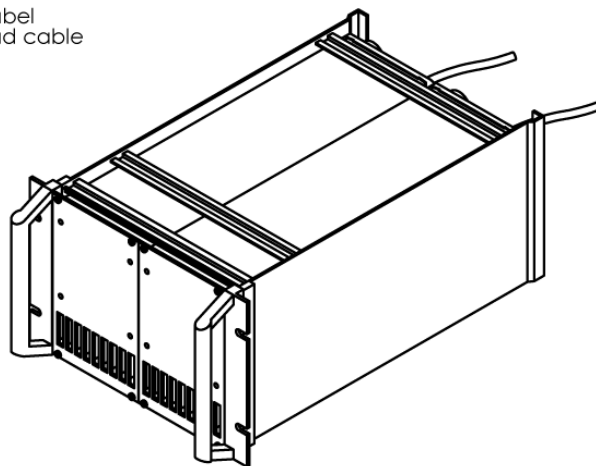
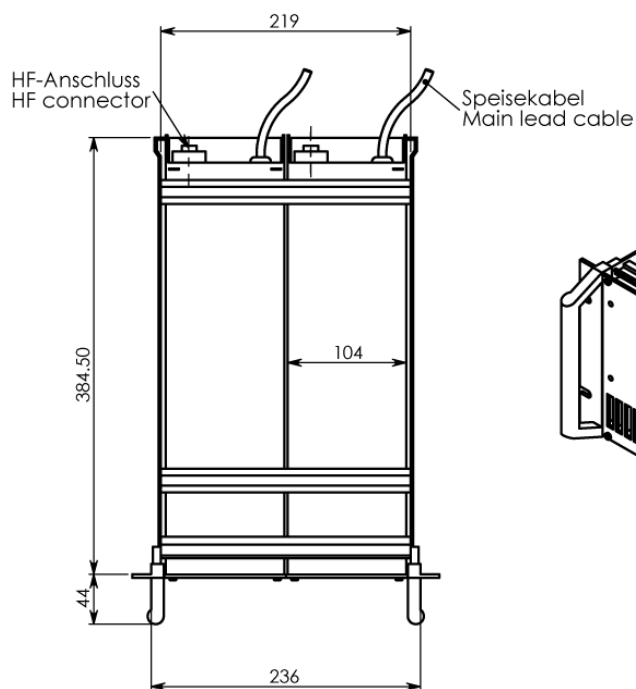
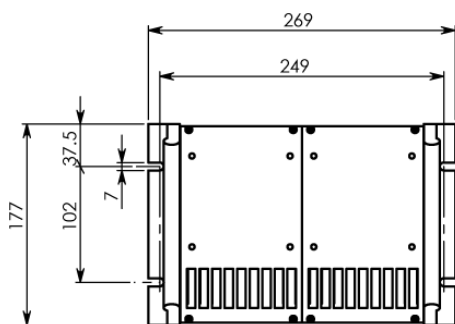
Technical Information Ultrasonic generator ECO
 20, 25, 30, 40 kHz / 750-3000 W

Wall mounting



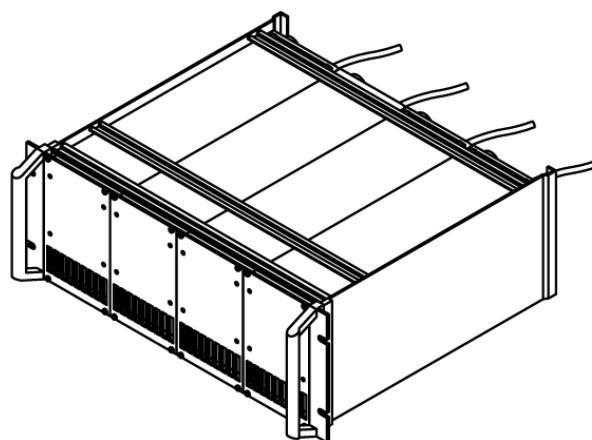
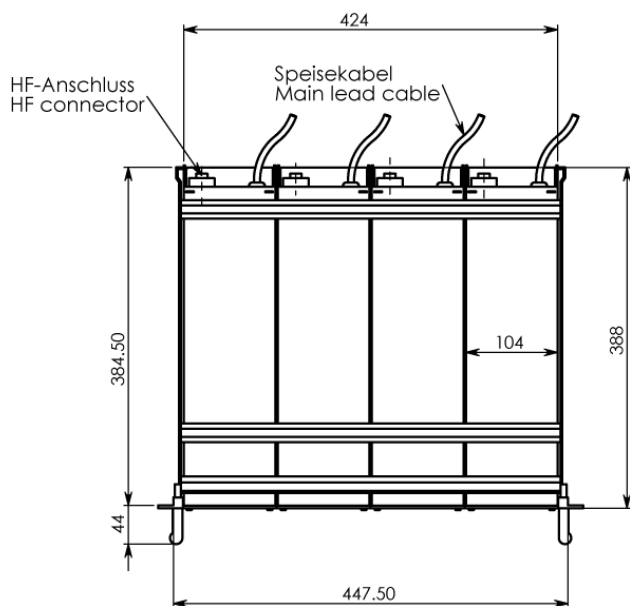
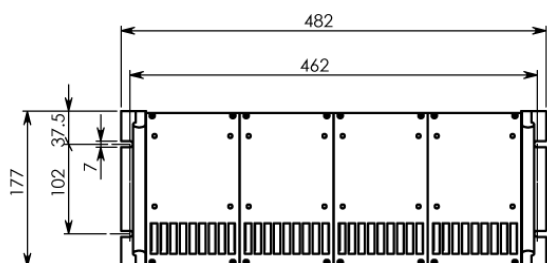
Technical Information Ultrasonic generator ECO
 20, 25, 30, 40 kHz / 750-3000 W

Double housing



Technical Information Ultrasonic generator ECO
 20, 25, 30, 40 kHz / 750-3000 W

Rack housing 19"



Technical Information Ultrasonic generator ECO
20, 25, 30, 40 kHz / 750-3000 W

1.5 Appendix

25-Pin D-Sub wiring

