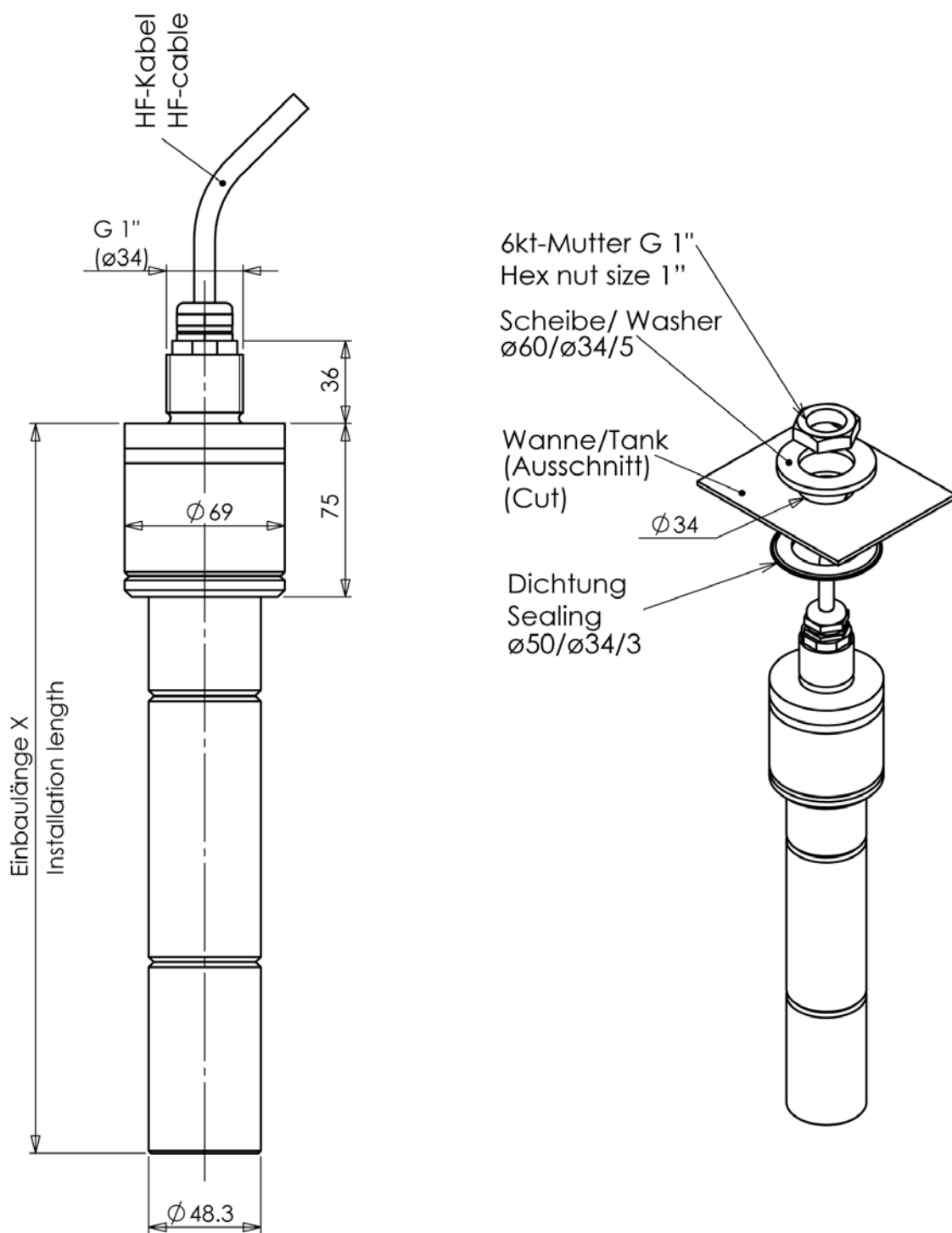


**Technical Information Tube Resonators RS-25-48-X
 25 kHz**

1.1 Dimensions



Technical Information Tube Resonators RS-25-48-X 25 kHz

1.2 Product Specification

Frequency:	25 kHz
Lengths:	See list below
HF-connection:	Binder-Plug 3P+E
Material:	316L (1.4435 / 1.4404)
Options:	Stainless steel braided protection hose Stainless steel braided protection hose with angular connector

25 kHz	RS 25-48-3	RS 25-48-4	RS 25-48-5	RS 25-48-6	RS 25-48-7	RS 25-48-8	RS 25-48-9	RS 25-48-10
--------	------------	------------	------------	------------	------------	------------	------------	-------------

Physical characteristics:

Reference Power W	1000	1000	1500	1500	1500	1500	1500	1500
Installation length X mm	476	572	669	763	857	951	1045	1139
Intensity on surface W/cm ²	4.1	4.3	4.6	4.8	5.0	5.2	5.5	5.7
Load:	0.72	0.71	0.71	0.71	0.76	0.66	0.59	0.53

Tube resonator 1-head

Installation:	✓	✓	✓	✓	✓	✓	✓	✓
Horizontal with protection hose								
Vertical with protection hose	✓	✓	✓	✓	✓	✓	✓	✓
Horizontal without protection hose	✓	✓	✓	✓	✓	✓	✓	✓
Vertical without protection hose (only when cooled!)	✓	✓	✓	✓	✓	✓	✓	✓
Cable length max. m	✓	✓	✓	✓	✓	✓	✓	✓
Physical characteristics:	20	20	20	20	20	20	20	20

**Technical Information Tube Resonators RS-25-48-X
 25 kHz**

1.3 Order Numbers

Article:	with 1m HF cable incl. plastic protection hose	with 4m HF-cable with 2m stainless steel braided protection hose	with 4m HF-cable with 2m stainless steel braided protection hose and 90° angular plug
RS-25-48-3	901 587 103	901 587 203	901 587 303
RS-25-48-4	901 587 104	901 587 204	901 587 304
RS-25-48-5	901 587 105	901 587 205	901 587 305
RS-25-48-6	901 587 106	901 587 206	901 587 306
RS-25-48-7	901 587 107	901 587 207	901 587 307
RS-25-48-8	901 587 108	901 587 208	901 587 308
RS-25-48-9	901 587 109	901 587 209	901 587 309
RS-25-48-10	901 587 110	901 587 210	901 587 310

Other cable or protection hose lengths available on request.

Extension cables:

HF-cable 3 m	514 210 031
HF-cable 6 m	514 210 060
HF-cable 10 m	514 210 101

(Generator tuning required)

Generator:

ECO ultrasonic generator 20kHz 600-1500W	See appropriate data sheet
--	----------------------------

**Technical Information Tube Resonators RS-25-48-X
 25 kHz**

1.4 Details

