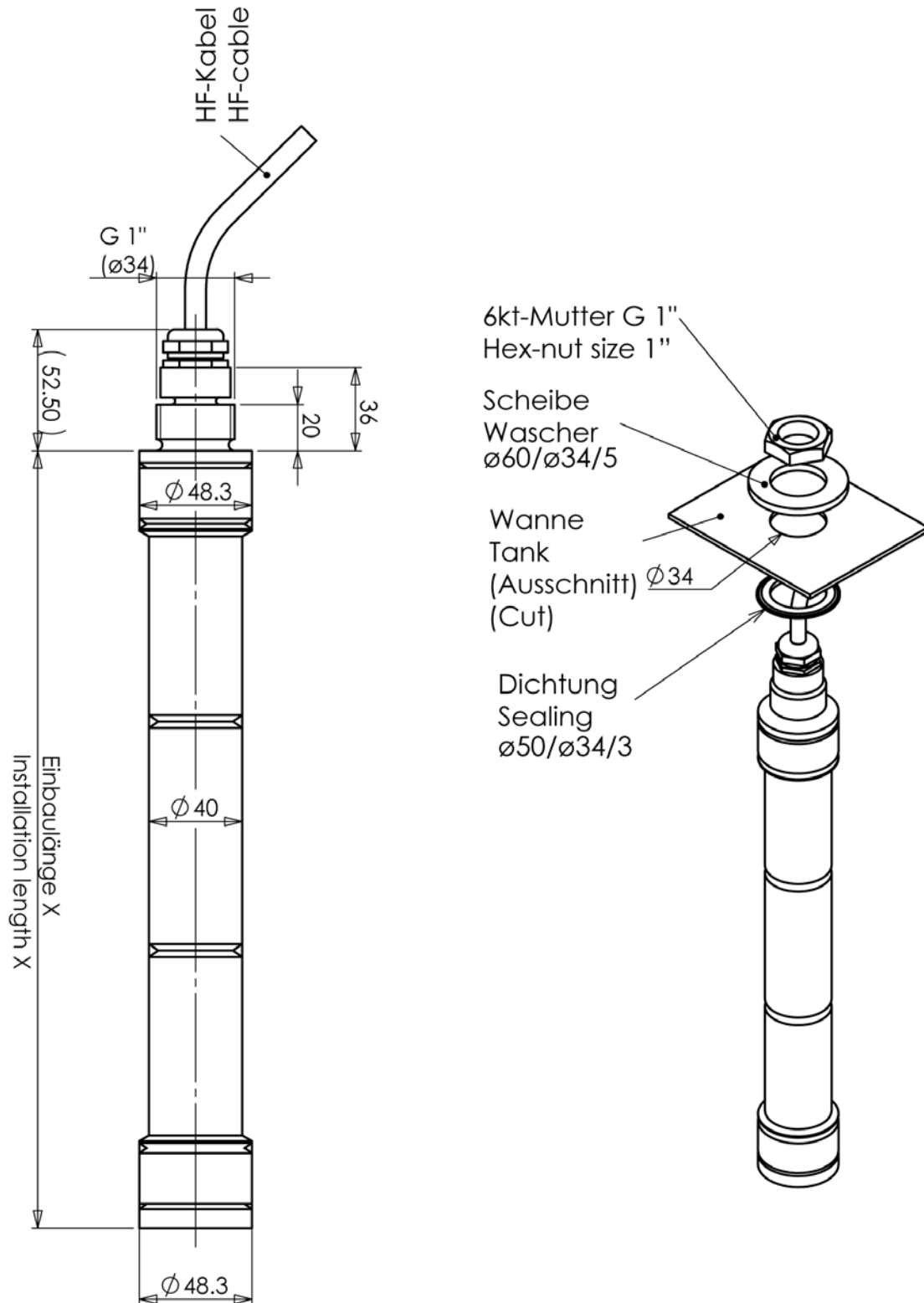


**Technical Information Tube Resonators RS-40-40-X
 40 kHz**

1.1 Dimensions



Technical Information Tube Resonators RS-40-40-X 40 kHz

1.2 Product Specification

Frequency:	40 kHz
Lengths:	See list below
HF-connection:	Binder-Plug 3P+E
Material:	316L (1.4435 / 1.4404)
Options:	Stainless steel braided protection hose Stainless steel braided protection hose with angular connector

40 kHz	RS 40-40-2	RS 40-40-4	RS 40-40-6
Physical characteristics:			
Reference Power W	750	1000	1000
Installation length mm	335	458	584
Weight (approx.) kg	2.6	3.2	4.0
Intensity on surface W/cm ²	0.74	0.71	0.77
Load:			
Tube resonator 2-heads	✓	✓	✓
Installation:			
Horizontal with protection hose	✓	✓	✓
Vertical with protection hose	✓	✓	✓
Horizontal without protection hose	✓	✓	✓
Vertical without protection hose	-	-	-
Cable length max.	10	10	10

**Technical Information Tube Resonators RS-40-40-X
 40 kHz**

1.3 Order Numbers

Article:	with 4m HF-cable	with 4m HF-cable with 2m stainless steel braided protection hose	with 4m HF-cable with 2m stainless steel braided protection hose and 90° angular plug
RS-40-40-2	901 576 002	901 576 102	901 576 202
RS-40-40-4	901 576 004	901 576 104	901 576 204
RS-40-40-6	901 576 006	901 576 106	901 576 206

Other cable or protection hose lengths available on request.

Extension cables:

HF-cable 3 m	514 210 031
HF-cable 6 m	514 210 060
HF-cable 10 m (Generator tuning required)	514 210 101

Generator:

ECO ultrasonic generator 20kHz 600-1500W	See appropriate data sheet
------------------------------------------	----------------------------

**Technical Information Tube Resonators RS-40-40-X
 40 kHz**

1.4 Installation and details

